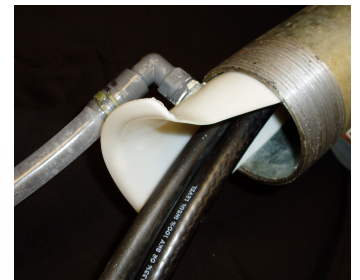
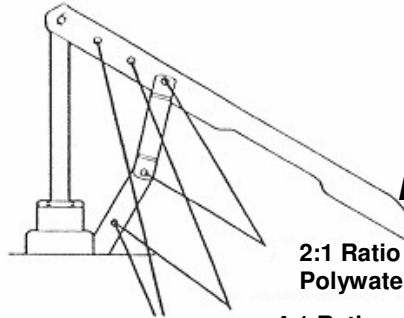


Polywater[®] Lubricant Pump Model LP-3



**New
Hands-free applicator**

2:1 Ratio
Polywater[®] F, WF, PJ, WPJ, PR

4:1 Ratio
Polywater[®] J, WJ, Polywater[®] Plus Silicone

7:1 Ratio
DynaBlue[®] Lube, Polywater[®] G

The Polywater[®] Lubricant **LP-3** Pump is a hand operated, self-priming, piston style transfer pump with two conduit applicators. Three different ratio settings allow the user to pump liquid to gel viscosity lubricant. All Polywater[®] lubricants can be pumped directly to the conduit or onto the cable in cable installations. The LP-3 now includes two hands-free applicators (small for 1½ to 3-inch and large for 3 to 6-inch conduit). Both applicators will slip directly into the conduit making it easy to apply the lubricant during the cable installation.

The **LP-3** Hand Pump mounts directly onto a 5 gallon pail and comes with a 10 foot discharge hose.

Advantages

- **Practical Transfer of all Polywater[®] Lubricants** – Save time and effort in cable pulling. Eliminate hand scooping, messy pouring, and lengthy clean-ups.
- **Variable Pumping Capability** – Adjustable settings allow pump to deliver various viscosity lubricants with least effort.
- **Pail Attachment** – No lubricant transfer required.
- **Consistent Lubricant Application** – Automates lubricant application with constant lubrication throughout installation
- **No Power Equipment Required** – Electricity, batteries, and compressed air are not needed.
- **Easy Maintenance** – No assembly required. Cleans up with water.

Operation

Set pump handle to the proper ratio for your lubricant. Place pump onto pail. Insert applicator into conduit so that the cable will be lubricated as the cable enters the conduit. Pump lubricant until it starts coming out. Start pulling cable and pump lubricant at the desired rate.

Note: Keep dirt and debris away from pump to avoid damage.

Cleaning

Pump clean tap water through LP-3 Pump until water discharge is clear and no lubricant is apparent. Let pump containing tap water soak for 15 minutes. Run pump again with clean tap water to remove any remaining lubricant. Repeat the process as necessary. Wipe pump and lightly spray inside with protection oil. (American Polywater P7™ Penetrating Oil) This will help prevent the pump from rusting. Protect from dirt with plastic bag or other cover.

Lubricant	Ratio at 7:1		Ratio at 4:1		Ratio at 2:1	
	gal/stroke	gal/minute	gal/stroke	gal/minute	gal/stroke	gal/minute
Polywater® J, WJ	Not Recommended		0.04	2.0	0.07	2.6
DynaBlue®	0.01	0.9	0.03	1.1	Not Recommended	
Polywater® PJ, WPJ	Not Recommended		Not Recommended		0.07	3.2
Polywater® F	Not Recommended		Not Recommended		0.07	3.2
Polywater® G	0.02	0.6	0.04	1.6	Not Recommended	
Polywater® PR	Not Recommended		Not Recommended		0.07	3.2
Polywater® Plus Silicone NN	Not Recommended		Not Recommended		0.07	3.2

Note1: Pumping rates are approximate and vary with pumping rate and hose length.

Note2: Type NB does not work in this pump. The solid microspheres interfere with operation.

Order Information

Catalog No.	Description
LP-3	Hand pump with 2 applicators

Copyright © 2002-2006. American Polywater Corporation. All Rights Reserved.

Important Notice: The statements here are made in good faith based on tests and observations we believe to be reliable. However, the completeness and accuracy of the information is not guaranteed. Before using, the end-user should conduct whatever evaluations are necessary to determine that the product is suitable for the intended use.

American Polywater expressly disclaims any implied warranties and conditions of merchantability and fitness for a particular purpose. American Polywater's only obligation shall be to replace such quantity of the product proven to be defective. Except for the replacement remedy, American Polywater shall not be liable for any loss, injury, or direct, indirect, or consequential damages resulting from product's use, regardless of the legal theory asserted.

American
Polywater[®]
Corporation

P.O. Box 53
Stillwater, MN 55082
U.S.A

1-800-328-9384
1-651-430-2270
fax 1-651-430-3634

www.polywater.com(URL)
custserv@polywater.com(e-mail)